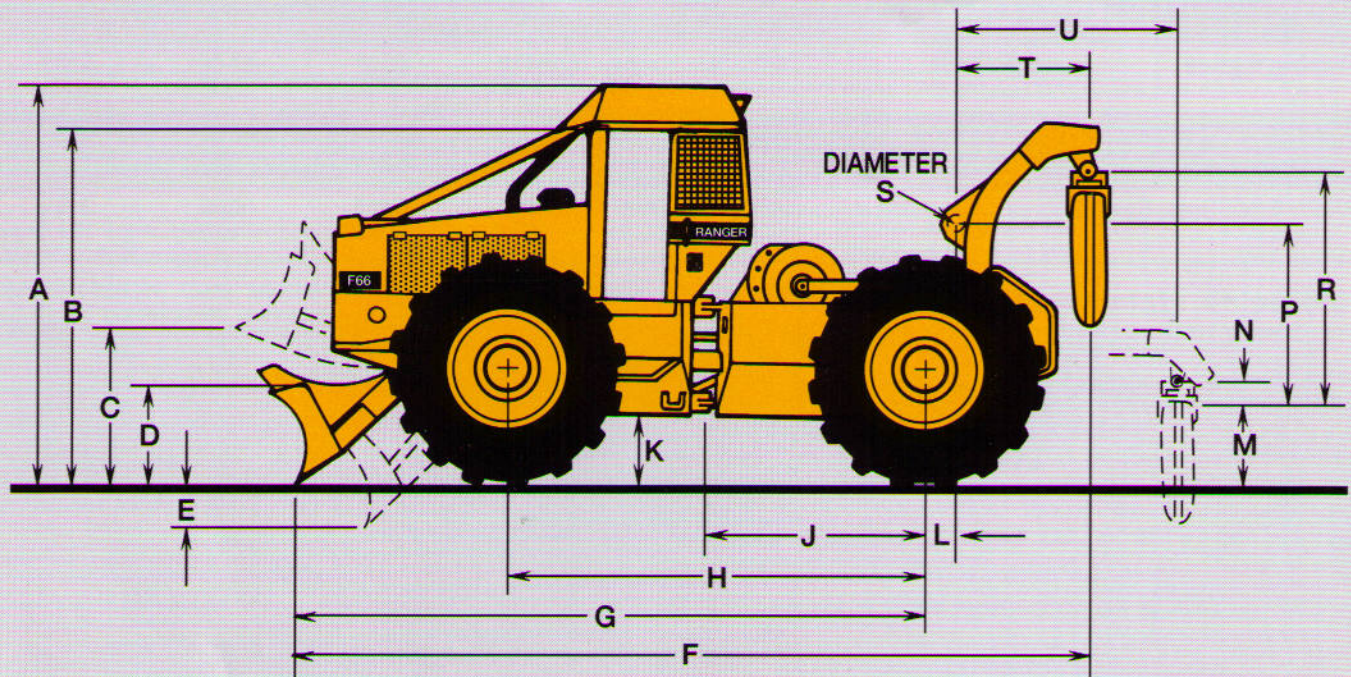


DIMENSIONS - RANGER F66 'A'-FRAME ARCH GRAPPLE SKIDDER



TIRES		A	B	C	D	E	F	G	H	J	K	L	M	N	P	R	S	T	U
23.1-26 STD	mm	3162	2908	1254	597	335	6802	5235	3264	1638	450	300	726	361	1181	1717	218	1415	2367
	in	124.5	114.5	49.4	23.5	13.2	267.8	206.1	128.5	64.5	17.7	11.8	28.6	14.2	46.5	67.6	8.6	55.7	93.2
24.5-32	mm	3254	3000	1360	597	231	6802	5235	3264	1638	554	300	830	361	1181	1717	218	1415	2367
	in	128.1	118.1	53.5	23.5	9.1	267.8	206.1	128.5	64.5	21.8	11.8	32.7	14.2	46.5	67.6	8.6	55.7	93.2
28.1-26	mm	3188	2934	1280	597	310	6802	5235	3264	1638	475	300	752	361	1181	1717	218	1415	2367
	in	125.5	115.5	50.4	23.5	12.2	267.8	206.1	128.5	64.5	18.7	11.8	29.6	14.2	46.5	67.6	8.6	55.7	93.2
30.SL-32	mm	3284	3030	1377	597	213	6802	5235	3264	1638	572	300	848	361	1181	1717	218	1415	2367
	in	129.3	119.3	54.2	23.5	8.4	267.8	206.1	128.5	64.5	22.5	11.8	33.4	14.2	46.5	67.6	8.6	55.7	93.2

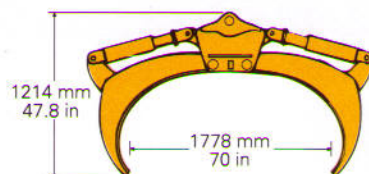


GRAPPLE

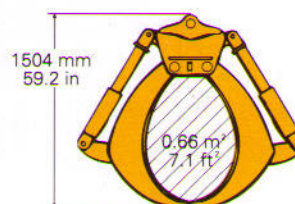
Grapple Head: Reversible hydraulic motor with chain reducer and friction disc snubber; head is capable of continuous, bi-directional rotation.

Arch: Tubular construction mounted on rear frame with 50,8 m (2 in) pins in spherical bushings. Integral fairlead with two 101,6 mm (4 in) diameter side rollers and 215,9 mm (8.5 in) diameter main roller.

FULLY OPEN



TIP-TO-TIP



FULLY CLOSED

